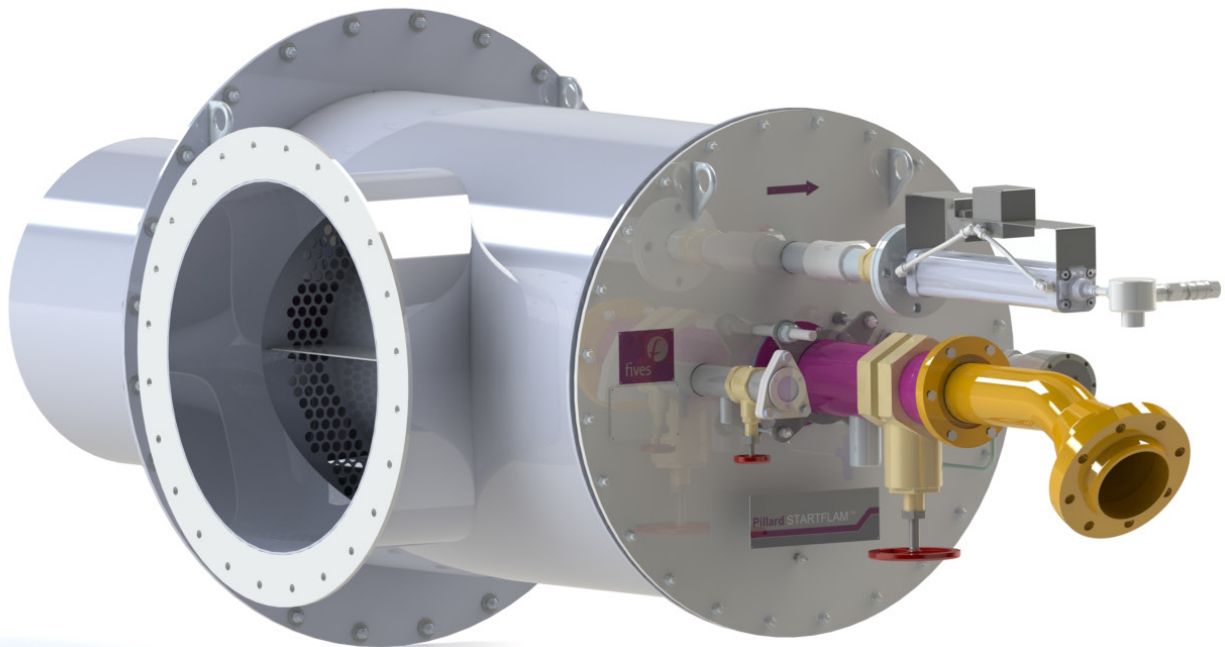


Pillard STARTFLAM™



Start-up burners for coal fired power plants

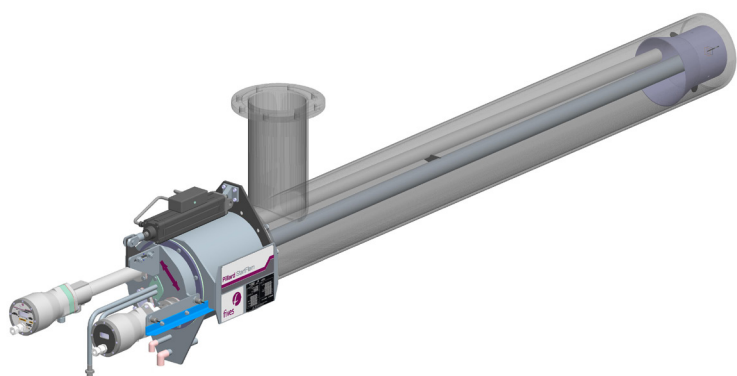
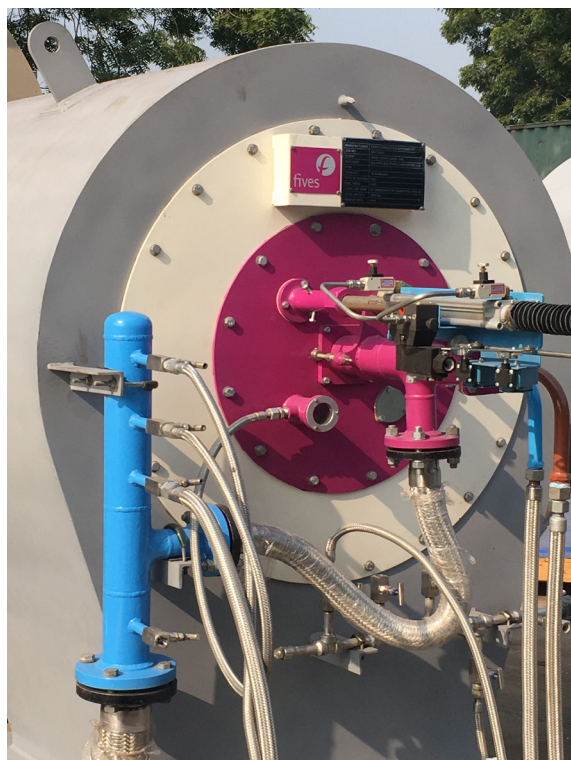
- For front boilers, CFB boilers: Preheating in HFO, DO and gas
- Designed for high temperature combustion air
- Retractable ignitor and gun for heat protection
- Simple and reliable
- Specific version available for coal burners

Simple and proven technology to start-up boilers

Pillard STARTFLAM™ is a burner dedicated for warming up boilers for Power Plants. It is equipped with its own air windbox and operates even under sub-stoichiometric conditions, with flames developing over the bed. The burner has retractable parts and can be equipped with a guillotine slide on demand.

BURNER DESCRIPTION

Pillard STARTFLAM™ burner can be equipped with gas-electric ignitors complying with NFPA standards and highly reliable flame detectors. Its center part and ignitors are retractable after operation in order to protect it from hot furnace flue gases.



A SIMPLER VERSION FOR COAL BURNERS OR IN BED APPLICATIONS

Pillard STARTFLAM™ is also available in a simpler warm-up gun version. The warm-up gun version can be implemented either in the bed or into a coal burner and is equipped with its own retraction device. Warm-up gun capacity can go over 30% of main coal burner capacity.

MAIN USE AND OPERATING MODES

- Oil start-up before coal injection
- As a main flame stabilising device for low grade coal firing
- Partial back-up in case of a coal handling system issue
- Coal support (low grade coal firing)

Over **100** references of **Pillard STARTFLAM™** burners worldwide. List available on demand.

Key features

Range of heat release	8 to 50 MW per unit
Turn down ratio	1 to 5 or more according to conditions
Flame dimensions	Similar to standard (non-low-Nox type) GRFLAM™ burners
Combustion air temperature	Up to 400°C
Combustion air pressure drop	200 to 250 daPa
Fuels	HFO, DO, Liquids, Natural Gas, Gaseous Fuels,...

The information provided on this leaflet is for information purposes only and does not constitute a legal obligation or a warranty, express or implied, concerning quality, marketability or suitability for a specific purpose