



# Landis LTT

Twin turret grinding machine



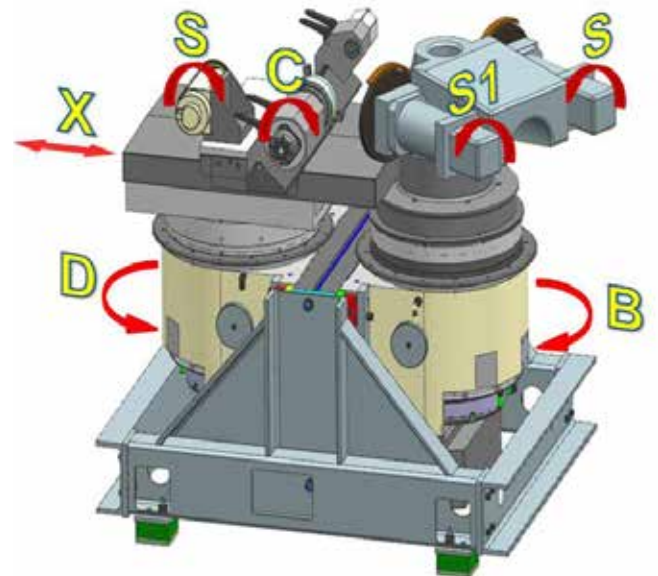
Twin-turret, multi spindle solution to grind OD's, ID's, faces, tapers, concentric and eccentric diameters to sub-micron tolerances in a single clamping

- Unlimited flexibility in workpiece grinding operations
- Various OD/ID spindle configurations available
- Constant wheel surface speed
- Superior surface finishes
- Easy automation integration
- High performance control with open architecture
- Reduced work piece changeover time

# High performance grinder

## OPTIONAL FEATURES

- Various OD/ID spindle configurations
- Hydrostatic spindles
- Variety of in-process gauges and probes available
- Flexible headstock and tailstock options
- Arobotec workrest
- Filtration systems
- Automation



Model	Landis LTT
<b>Grinding capacity</b>	
Max. swing diameter	180 mm (7.08")
Max. grinding length	400 mm (15.75")
Max. workpiece weight	150 kg
<b>Spindles &amp; workhead</b>	
Max. number of spindles	3
Wheel type	CBN
Wheel Ø	350 mm (13.8")
Wheel width	40 mm (1.57")
Wheel surface speed	120 m/s
OD spindle power	32kw / 43hp
Speed range	0 - 1000 rpm
Control	Landis 6400 CNC
<b>Dimensions</b>	
Dimensions (W x L)	2,600 mm x 2,300 mm (8.5' x 7.6')
Machine weight	5,500 kg (12,000 lb)

The information provided on this document is for information purposes only and does not constitute a legal obligation or a warranty, express or implied, of any kind.

## CONTACT US

[grinding-ultraprecision@fivesgroup.com](mailto:grinding-ultraprecision@fivesgroup.com)

Bryant | Cincinnati | Cranfield Precision | Daisho | Gardner | Giustina | Landis

[www.fivesgroup.com](http://www.fivesgroup.com)



**fives**

Industry can do it