

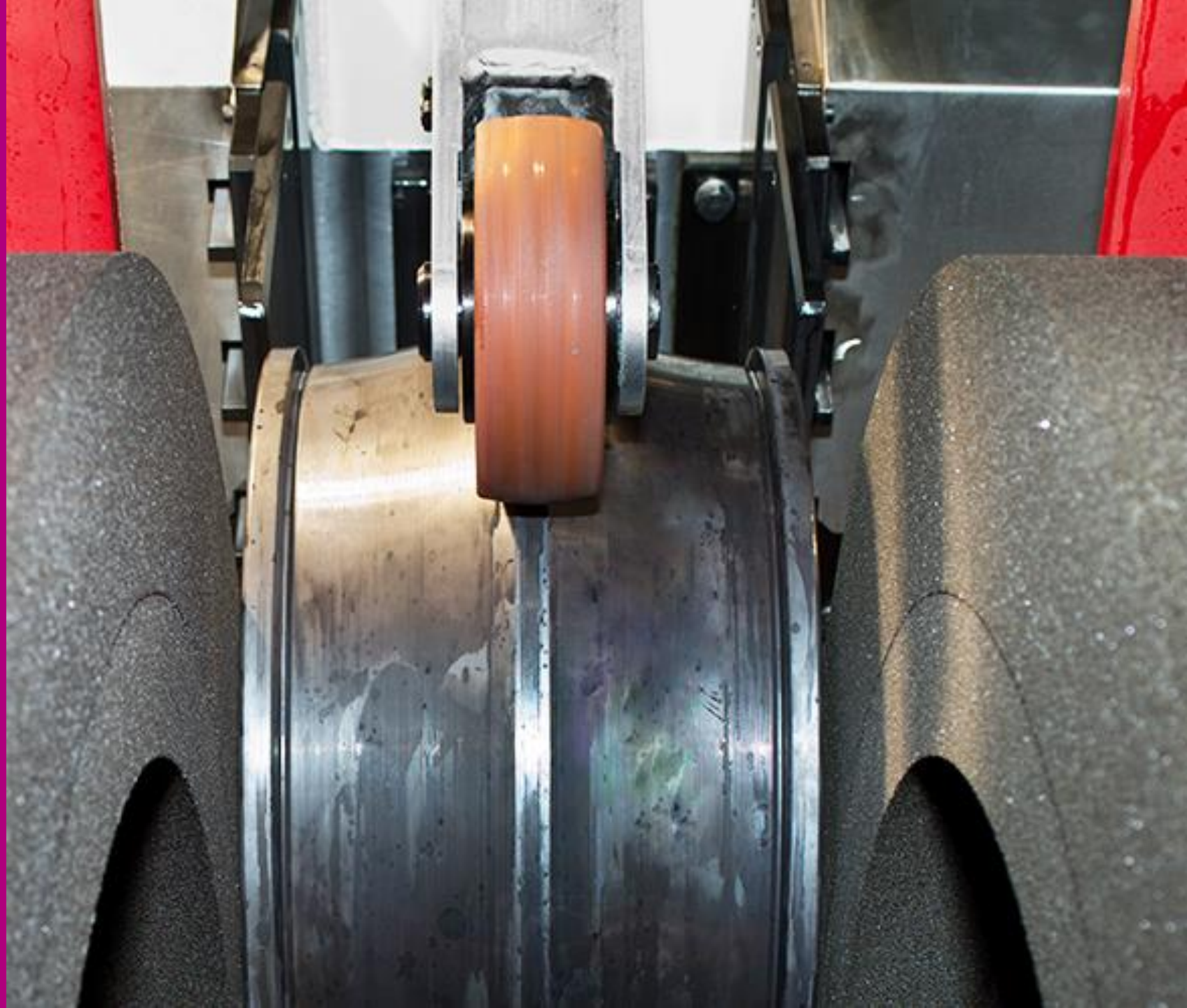


fives

HORIZONTAL DOUBLE DISC

305 / 355 / 455 / 510 / 585 / 760

May 2021



Your high-volume horizontal double disc solution

With up to 98% uptime, our Horizontal Double Disc (HDD) machines provide a robust solution for both flat and parallel surface grinding applications. Highly efficient, with exceptional stiffness and flexibility, these machines are an engineered turnkey solution for your grinding needs.



Flexibility – Precision - Quality

With exceptional engineering, you don't have to choose quality over quantity – you can have both. Our HDD machines are designed for flexibility and speed, without sacrificing surface quality.

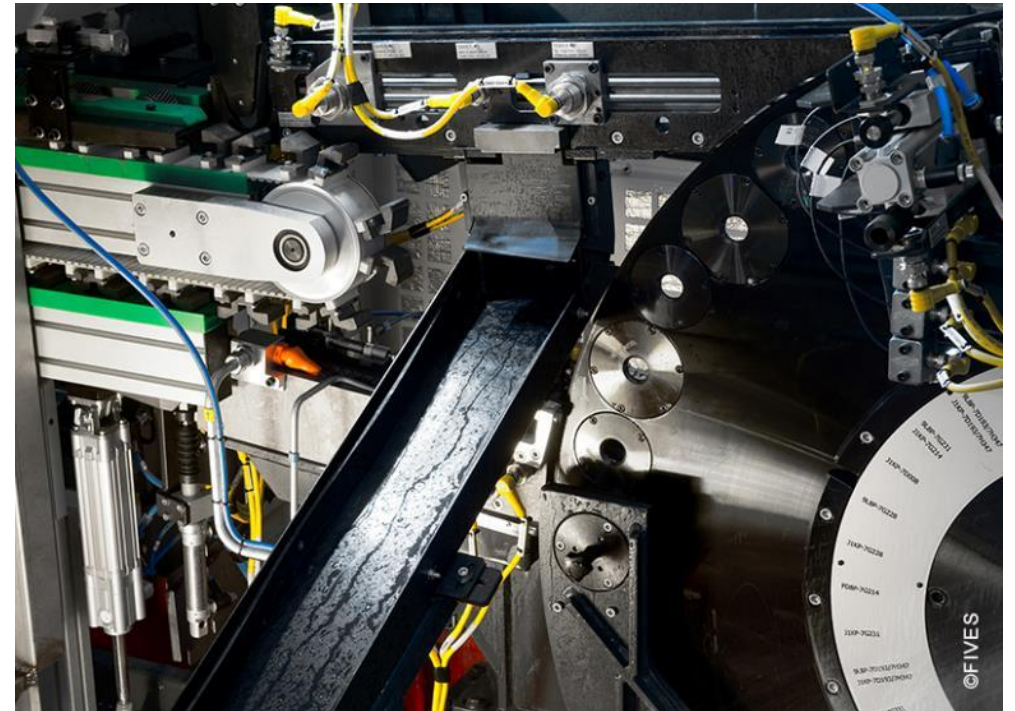
Advanced automation enables a fast changeover, which ensures that one machine can be used for multiple operations.



Machine Highlights

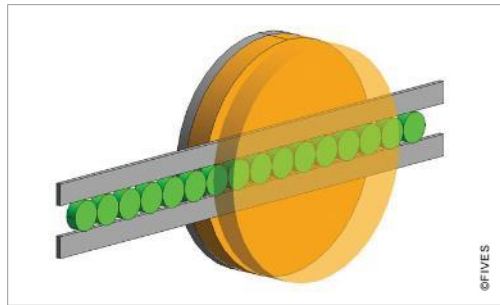
The modular setup enables complete customization for production requirements. Additional key benefits include:

- Grinding wheels are available with diameters from 305 – 1,067 mm
- Choose from various power output options for wheel motors
- Suitable for through-feed or plunge feed working methods
- Automatic, semi-automatic or manual loading/unloading options available

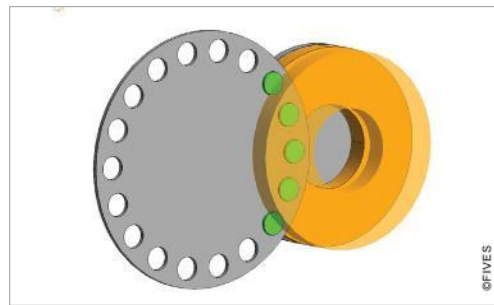


Various working modes

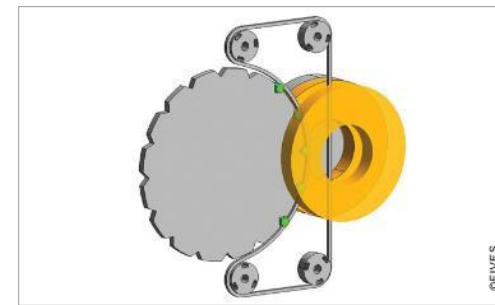
Our HDD machines are used to surface grind workpieces with different working methods that include:



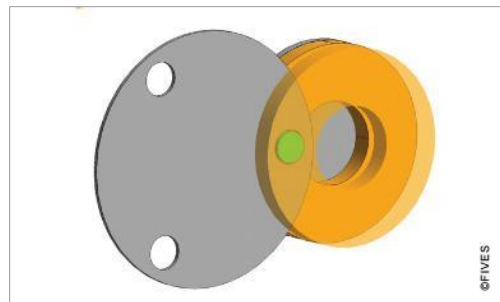
Linear through-feed



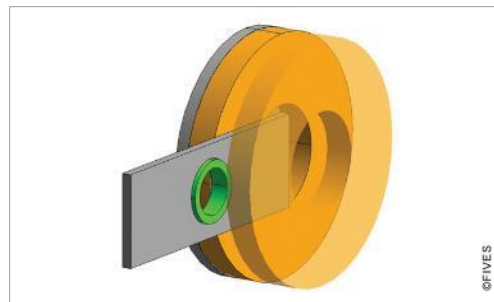
Rotary through-feed



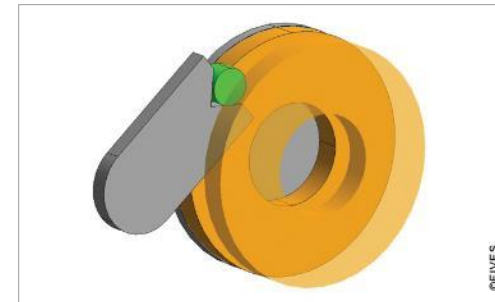
Rotary carrier with wire clamp



Index carrier



Reciprocating feeder carriage



Swing arm

	HDD610	HDD760	HDD915	HDD1067
OD grinding wheel	610 mm	760 mm	915 mm	1,067 mm
Max. power grinding wheel	22 kW	75 kW	75 kW	75 kW
Positioning precision	1 µm	1 µm	1 µm	1 µm
Max. workpiece - OD	90 mm	370 mm	800 mm	1,000 mm
Max. workpiece - width	1 - 50 mm	1 - 110 mm	1 - 110 mm	1 - 110 mm
Dimensions (W x D x H)	3,600 x 2,600 x 2,150 mm	4,800 x 5,000 x 2,450 mm	4,800 x 5,000 x 2,450 mm	4,800 x 5,000 x 2,450 mm
Machine weight	6,000 kg	14,000 kg	14,000 kg	14,500 kg



fives

Industry can do it

Fives Landis Corp

16678 Halfway Blvd.
Hagerstown, MD 21740

www.fivesgroup.com